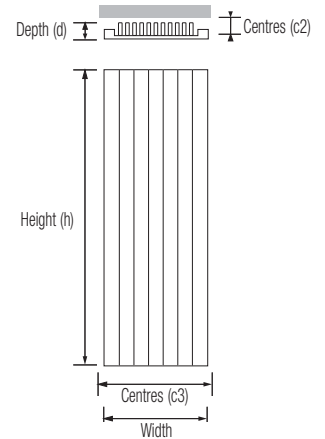
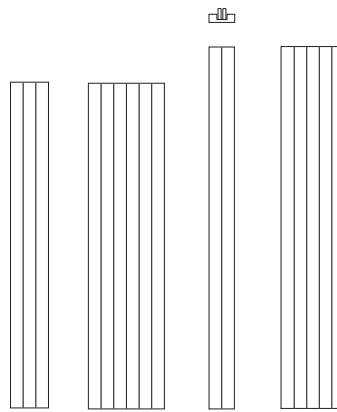


Matrix Vertical Radiator



Product Code (Heating Only)	Height (mm) (h)	Width (mm) (w)	Depth (mm) (d)	Wall to Face (mm)	Tapping Centres (mm)			Output (watts)	Dry Weight (Kg)	Water Content (trs)	Product Codes (Electric) *2				Estimated delivery *1
					(c1)	(c2)	(c3)				HE	E	POL1 - HE	POL1 - E	
MAT[*]1120014	1200	140	62	73	n/a	57	140	313	7.908	1.386	n/a	n/a	n/a	n/a	C
MAT[*]1120028	1200	280	62	73	n/a	57	280	625	15.816	2.772	n/a	n/a	n/a	n/a	C
MAT[*]1120042	1200	420	62	73	n/a	57	420	938	23.724	4.158	n/a	n/a	n/a	n/a	C
MAT[*]1160028	1600	280	62	73	n/a	57	280	800	22.544	3.604	n/a	n/a	n/a	n/a	C
MAT[*]1160049	1600	490	62	73	n/a	57	490	1394	39.452	6.307	n/a	n/a	n/a	n/a	L
MAT[*]1180021	1800	210	62	73	n/a	57	210	654	19.188	3.012	n/a	n/a	n/a	n/a	C
MAT[*]1180042	1800	420	62	73	n/a	57	420	1309	38.376	6.024	n/a	n/a	n/a	n/a	L
MAT[*]1200014	2000	140	62	73	n/a	57	140	470	14.48	2.216	n/a	n/a	n/a	n/a	C
MAT[*]1200035	2000	350	62	73	n/a	57	350	1176	36.2	5.54	n/a	n/a	n/a	n/a	L

• [*] Available finishes = White (01) : RAL colours (05) (RAL colours extends delivery time, see price list for details.)

Notes:

• Max operating pressure 4.6 bar • All connections 1/2 BSP BBOE • Manufactured from steel

*1 Note: Items over quantity of 7 will be dispatched via lorry : C = Courier, up to 3 working days. L = Lorry, up to 10 working days

*2 Note: Fully electric option not available for this product

Dimension detail (mm)				Heating Only		Dual Fuel		Electric Only		Dual Fuel - Thermostatic POL1		Electric Only - Thermostatic POL1	
Height (h)	Width (w)	Depth (d)	Output @ Δt 60°C	Code	Price £ excl. VAT	Code	Price £ excl. VAT	Code	Price £ excl. VAT	Code	Price £ excl. VAT	Code	Price £ excl. VAT

White

1200	140	62	313	MAT 01 1 120014	232.00	n/a	n/a	n/a	n/a	n/a	n/a	n/a	n/a
1200	280	62	625	MAT 01 1 120028	282.00	n/a	n/a	n/a	n/a	n/a	n/a	n/a	n/a
1200	420	62	938	MAT 01 1 120042	332.00	n/a	n/a	n/a	n/a	n/a	n/a	n/a	n/a
1600	280	62	797	MAT 01 1 160028	323.00	n/a	n/a	n/a	n/a	n/a	n/a	n/a	n/a
1600	490	62	1394	MAT 01 1 160049	467.00	n/a	n/a	n/a	n/a	n/a	n/a	n/a	n/a
1800	210	62	654	MAT 01 1 180021	311.00	n/a	n/a	n/a	n/a	n/a	n/a	n/a	n/a
1800	420	62	1309	MAT 01 1 180042	459.00	n/a	n/a	n/a	n/a	n/a	n/a	n/a	n/a
2000	140	62	470	MAT 01 1 200014	301.00	n/a	n/a	n/a	n/a	n/a	n/a	n/a	n/a
2000	350	62	1176	MAT 01 1 200035	480.00	n/a	n/a	n/a	n/a	n/a	n/a	n/a	n/a

RAL Colour

1200	140	62	313	MAT 05 1 120014	273.00	n/a	n/a	n/a	n/a	n/a	n/a	n/a	n/a
1200	280	62	625	MAT 05 1 120028	332.00	n/a	n/a	n/a	n/a	n/a	n/a	n/a	n/a
1200	420	62	938	MAT 05 1 120042	392.00	n/a	n/a	n/a	n/a	n/a	n/a	n/a	n/a
1600	280	62	797	MAT 05 1 160028	381.00	n/a	n/a	n/a	n/a	n/a	n/a	n/a	n/a
1600	490	62	1394	MAT 05 1 160049	542.00	n/a	n/a	n/a	n/a	n/a	n/a	n/a	n/a
1800	210	62	654	MAT 05 1 180021	367.00	n/a	n/a	n/a	n/a	n/a	n/a	n/a	n/a
1800	420	62	1309	MAT 05 1 180042	533.00	n/a	n/a	n/a	n/a	n/a	n/a	n/a	n/a
2000	140	62	470	MAT 05 1 200014	355.00	n/a	n/a	n/a	n/a	n/a	n/a	n/a	n/a
2000	350	62	1176	MAT 05 1 200035	558.00	n/a	n/a	n/a	n/a	n/a	n/a	n/a	n/a

Colours: please allow 6-7 weeks