

Attention The connection of this radiator to a central heating system should be carried out by a suitably competent person who is familiar with current regulations.

Read this guide before starting installation

Handling Advice

Please refer to the manual handling guidelines that are supplied with this product. This gives important information about the safe lifting of these radiators to minimise risk and damage.

Water Treatment

These products are for use on closed heating systems only; they are not suitable for installation on secondary HWS circuits.

On completion of the installation the entire system **MUST** be thoroughly cleaned and flushed to remove debris/flux residues etc. If a chemical cleanser is used, it must be thoroughly flushed from the system. Following this, the system **MUST** be dosed with a good quality water treatment to prevent corrosion. System design, flushing and dosing must be in accordance with BS 5449: 1990, BS EN 12828: 2003 and BS 7593: 1992

IMPORTANT: Failure to observe these requirements will render the guarantee on the product void.

Corrosion inhibitor must be used in accordance with the manufacturer's instructions and recommendations and should take into account the particular metals within the system.

Cleaning & Aftercare

For products with a colour finish, clean using a damp cloth (dipped in water), **DO NOT** use solvents, alcohols or detergents. For products with a polished aluminium finish, clean with surgical cotton soaked in alcohol.

Operating Pressure

Maximum 6 bar

Further Information

These radiators have been designed, manufactured and tested to ensure a long-lasting use. Should you require any further information, help or advice, or have any difficulties with these products or their installation and use, please contact our office on:

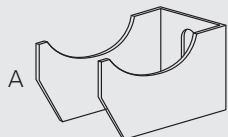
Tel: **01268 546700** Fax: **01268 888250**

Web: **www.mhsradiators.com**

write to: 3 Juniper West, Fenton Way, Southfields Business Park, Basildon, Essex SS15 6SJ



Installation Instructions



Installation Accessory:

A) 2 x Wall Bracket

Preparation:

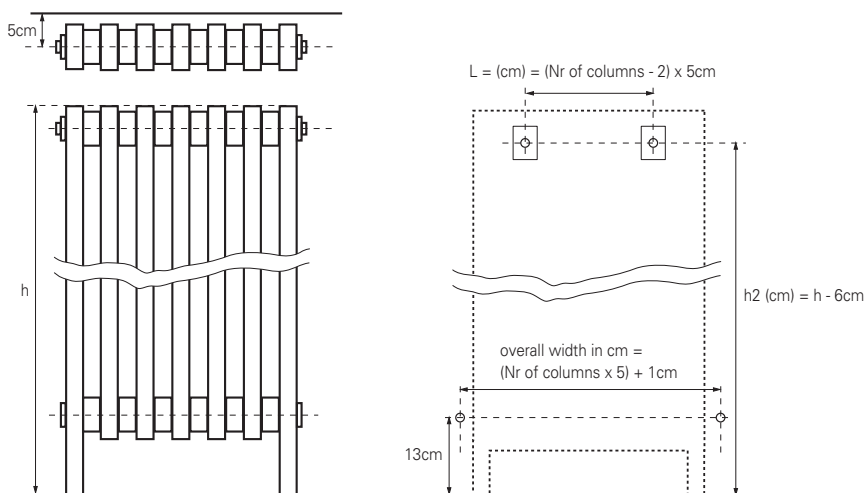
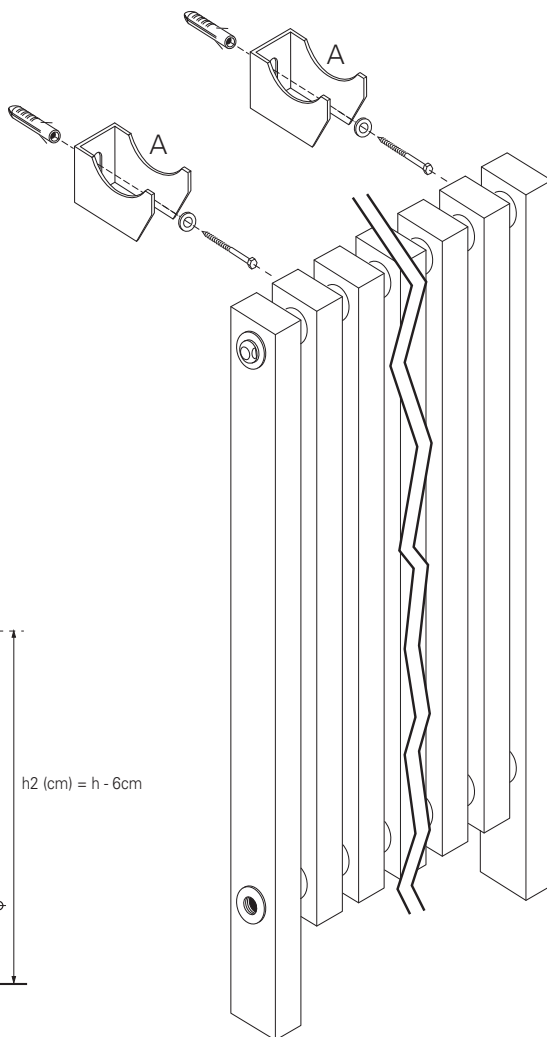
Before positioning the Tekne radiator, install the radiator valves, plug and air vent into the appropriate tappings at top and bottom of the horizontal headers.

Note: BBOE* connection arrangements only, are suitable for this product.

Securing The Radiator:

The Tekne Radiator is a floor standing product, however for security, the unit should be held back to the wall using the supplied brackets "A", which cradle the underside of the upper water way header.

- 1:** Ascertain the final installed position of the radiator, and at this point, lightly mark a horizontal line on the wall at height "h2" in cm calculated from the overall height of the radiator "h" minus 6cm.
- 2:** On the horizontal line, mark and drill the wall to take appropriate fixings and mount the wall brackets "A" at the points indicated in the diagram below. The distance between the fixing points "L" (equidistant about the centre line of the radiator) can be calculated by, the number of columns in the radiator minus 2 and then multiply by 5cm.
Example: for a 7 section radiator $L = (7 - 2) \times 5 = 25\text{cm}$.
- 3:** Lift the radiator slightly to engage the upper header into the bracket cradles and then lower it to stand the radiator in position.
- 4:** Make final flow and return water connections to the heating system.



* BBOE = Bottom-Bottom Opposite End Connections