

Monoline Double

Installation Guide



Main Material of Manufacture - Steel

Attention The connection of this radiator to a central heating system should be carried out by a suitably competent person who is familiar with current regulations.

Read this guide before starting installation

Handling Advice

Please refer to the manual handling guidelines that are supplied with this product. This gives important information about the safe lifting of these radiators to minimise risk and damage.

Water Treatment

These products are for use on closed heating systems only; they are not suitable for installation on secondary HWS circuits.

On completion of the installation the entire system MUST be thoroughly cleaned and flushed to remove debris/flux residues etc. If a chemical cleanser is used, it must be thoroughly flushed from the system. Following this, the system MUST be dosed with a good quality water treatment to prevent corrosion. System design, flushing and dosing must be in accordance with BS 5449: 1990, BS EN 12828: 2003 and BS 7593: 1992

IMPORTANT: Failure to observe these requirements will render the guarantee on the product void.

Corrosion inhibitor must be used in accordance with the manufacturer's instructions and recommendations and should take into account the particular metals within the system.

Cleaning & Aftercare

For products with a colour finish, clean using a damp cloth (dipped in water), DO NOT use solvents or detergents. For products with a polished aluminium finish, clean with surgical cotton soaked in alcohol.

Operating Pressure

Maximum 6 bar

Further Information

These radiators have been designed, manufactured and tested to ensure a long-lasting use. Should you require any further information, help or advice, or have any difficulties with these products or their installation and use, please contact our office on:

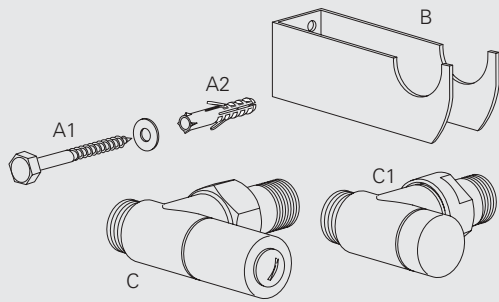
Tel: 01268 546700 Fax: 01268 888250

Web: www.mhsradiators.com

write to: 3 Juniper West, Fenton Way, Southfields Business Park, Basildon, Essex SS15 6SJ



Installation Instructions



Assembly kit:

- A)** 4 screws + pressure plugs
- B)** 4 brackets
- C)** Optional: valve holder "cilindro"

To Fit:

- 1:** Make two holes in the wall using a $\varnothing 10\text{mm}$ bit and fit the pressure plug (B2)
- 2:** Fix the brackets C using the screws B1.
- 3:** Secure the radiator to the brackets.

Connection:

- 4:** Connect the radiator to the water network

Vertical centre distance calculation:

To calculate the centre distance, carry out the following calculation:

h- 4.2

Where:

- "**h**" = the height in centimetres of the radiator
- **4.2** = the fixed measurement to detract from the height of the radiator

Horizontal centre distance calculation:

To calculate the centre distance, carry out the following calculation:

No. of elements X 4.5 + 10

Where:

- "**No. of elements**" = the number of elements that make up the radiator
- **4.5** = the size of each individual element to multiply by the number of elements that make up the radiator
- **10** = the fixed measurement to add to the amount previously obtained (No. of elements x 4.5)

