

# Climber

## Installation Guide



Main Material of Manufacture - Stainless Steel

**Attention** The connection of this radiator to a central heating system should be carried out by a suitably competent person who is familiar with current regulations.

## Read this guide before starting installation

### Handling Advice

Please refer to the manual handling guidelines that are supplied with this product. This gives important information about the safe lifting of these radiators to minimise risk and damage.

### Water Treatment

These products are for use on closed heating systems only; they are not suitable for installation on secondary HWS circuits.

On completion of the installation the entire system MUST be thoroughly cleaned and flushed to remove debris/flux residues etc. If a chemical cleanser is used, it must be thoroughly flushed from the system. Following this, the system MUST be dosed with a good quality water treatment to prevent corrosion. System design, flushing and dosing must be in accordance with BS 5449: 1990, BS EN 12828: 2003 and BS 7593: 1992

**IMPORTANT:** Failure to observe these requirements will render the guarantee on the product void.

Corrosion inhibitor must be used in accordance with the manufacturer's instructions and recommendations and should take into account the particular metals within the system.

### Cleaning & Aftercare

The external surface of the radiator should be cleaned with mild detergent. No solvents or abrasives should be used. Under no circumstances must any substance containing Chlorides be used.

### Operating Pressure

Maximum 6 bar

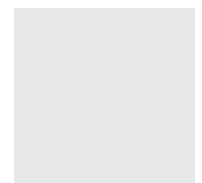
### Further Information

These radiators have been designed, manufactured and tested to ensure a long-lasting use. Should you require any further information, help or advice, or have any difficulties with these products or their installation and use, please contact our office on:

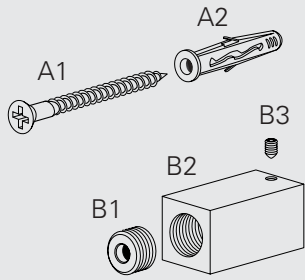
Tel: **01268 546700** Fax: **01268 888250**

Web: **www.mhsradiators.com**

write to: 3 Juniper West, Fenton Way, Southfields Business Park, Basildon, Essex SS15 6SJ



# Installation Instructions



## Installation Accessories:

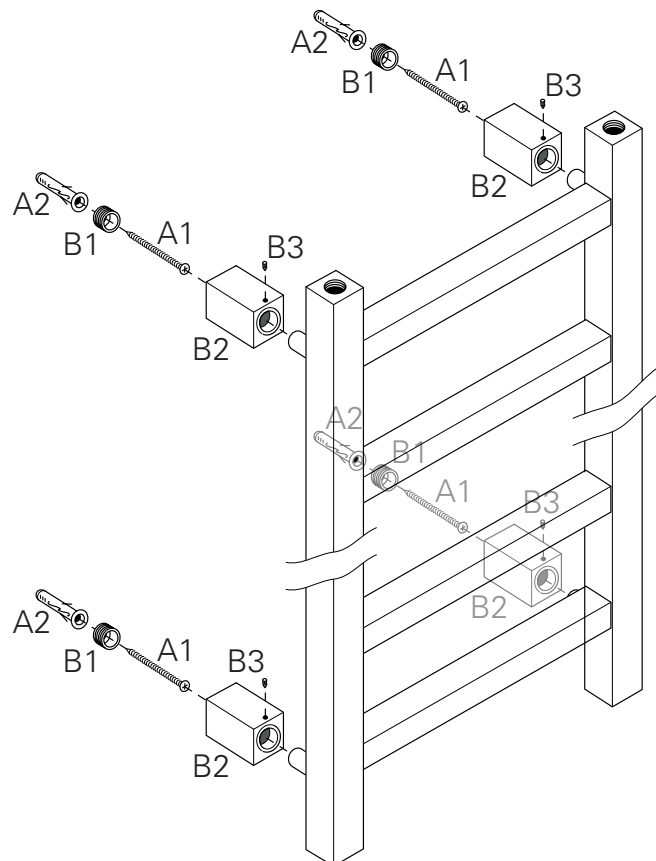
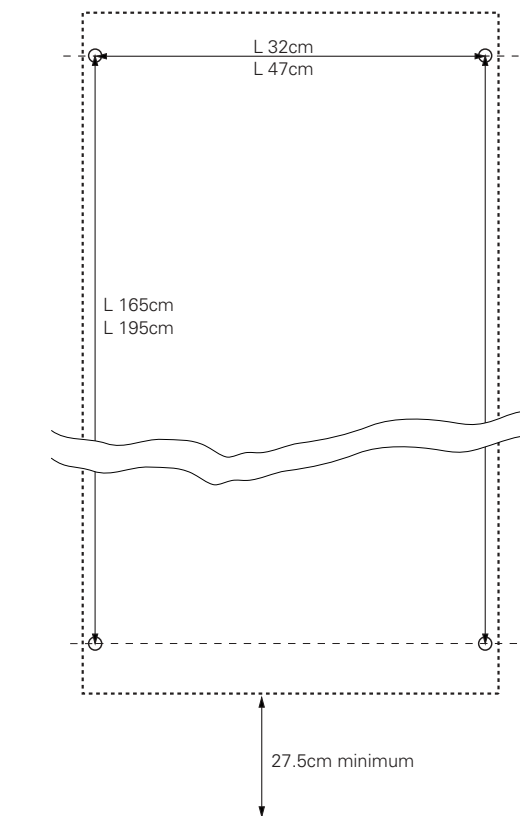
- A1)** 4 x Screws for wall mounting
- A2)** 4 x Wall Plugs
- B1)** 4 x Threaded Bush
- B2)** 4 x Spacer
- B3)** 4 x Grub screw

## Preparation

Before wall mounting the Climber Towel Radiator, install the radiator valves, plug and air vent into the appropriate tappings at top and bottom of the vertical headers. BBOE\* or TBOE\* connection arrangements only are suitable for this product.

## Wall Mounting of Towel Rail

- 1:** According to the positions indicated in the diagram below, mark and drill the wall using a 10mm drill bit and insert the Wall Plugs A2.
- 2:** Using Screws A1, secure the bushes B1 to wall ensuring level and true one to another.
- 3:** Attach spacer pieces B2 to bushes and tighten lightly but firmly.
- 4:** Offer up the towel rail and locate pegs on rear of rail into respective spacers and secure using Grub Screws B3.



TBOE\* = Top Bottom Opposite End Connections

BBOE\* = Bottom Bottom Opposite End Connections