

# Volt Panel Heaters

## Installation Guide



MHS heating products are specifically designed to give you comfortable, controllable warmth when and where you need it.

Please read these notes before installation and retain for future reference

### Important Safety Advice

1. **WARNING: THIS HEATER MUST BE EARTHED.**
2. This heater is for use as an indoor fixed appliance and is **NOT FOR PORTABLE USE.**
3. **DO NOT** use heater outdoors.
4. **DO NOT** operate switches etc. with wet hands.
5. Ensure that the heater is switched off when cleaning.
6. **DO NOT** use where flammable gases or liquids are stored.
7. This heater will be hot when in use. To avoid the possibility of burns do not let bare skin touch hot surfaces.
8. **DO NOT** allow small children **NEAR** the heater.
9. To avoid over heating do not obstruct the air circulation around the heater or allow curtains or furniture to touch or cover any part of the casing.
10. **IMPORTANT:** The installation of this heater should be carried out by an electrician or competent person and be in strict accordance with current IEE Wiring Regulations and all relevant Building Regulations.
11. Before connecting the heater, check that the supply voltage is the same as that marked on the heater.
12. If the flexible mains lead gets damaged **DO NOT USE** the heater, but have it removed (by a competent person) for return to the manufacturer and the fitting of a replacement lead.
13. There are no user serviceable parts inside the heater.
14. These heaters must never be covered.

Your Volt heater has been designed to produce warmth where and when you need it. **Note:** Volt heaters produce mostly radiant heat.

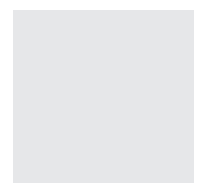
### Further Information

These radiators have been designed, manufactured and tested to ensure a long-lasting use. Should you require any further information, help or advice, or have any difficulties with these products or their installation and use, please contact our office on:

Tel: **01268 546700** Fax: **01268 888250**

Web: **www.mhsradiators.com**

write to: 3 Juniper West, Fenton Way, Southfields Business Park, Basildon, Essex SS15 6SJ



# Installation Instructions

**Radiant** heat does not directly warm air but does warm objects and we therefore recommend that furniture etc. be kept one metre clear from the front of the heater.

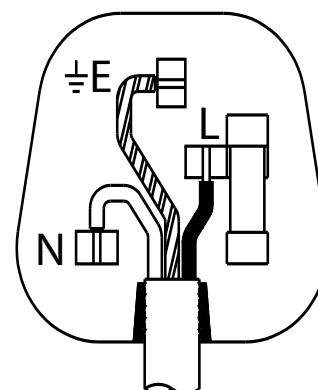
**The heaters are supplied with a mains cord length which should be sufficient to allow connection to a convenient 13A fused spur, or socket outlet, via a 13 amp plug. (See fitting detail below). Either must be fitted with the correctly rated fuse as detailed below;**

- (a) 500 watts (5amp)
- (b) 1000 watts (7amp)
- (c) 1500 watts (13amp) Prepare lead for connection to a 13A plug as follows:

**E** - Green & Yellow core, Length 41mm O/ All, Strip off insulation to expose 8mm of bare wire.

**N** - Blue core, Length 35mm O/ All,  
Strip off insulation to expose 8mm of bare wire

**L** - Brown core, Length 20mm O/ All,  
Strip off insulation to expose 8mm of bare wire.



PRESS CORD BETWEEN GRIPS  
BEFORE CONNECTING  
CONDUCTORS TO TERMINALS.

**WARNING! THIS APPLIANCE MUST BE EARTHED THE HEATER MUST NOT BE FIXED IMMEDIATELY BELOW A SOCKET OUTLET.**

## **IMPORTANT:**

Special regulations exist for appliances in bathrooms and shower rooms. Consult a qualified Electrician.

## **IMPORTANT:**

The wires in the mains lead are coloured in accordance with the following code:

GREEN & YELLOW      EARTH  $\perp$ E

BLUE                      NEUTRAL

BROWN                    LIVE

- Connect GREEN & YELLOW wire to terminal marked E or  $\perp$
- Connect BLUE wire to terminal marked N
- Connect BROWN wire to terminal marked L

**MHS heaters must NOT be used in the immediate surroundings of a bath, a shower, or a swimming pool, see note below.**

**VOLT SPLASH PROOF IP44 RATED HEATER: THIS TYPE OF HEATER MAY BE USED IN A BATHROOM, BUT SPECIAL REGULATIONS APPLY. IT IS IMPORTANT THAT YOU CONSULT A QUALIFIED ELECTRICIAN BEFORE INSTALLATION. ANY ELECTRICAL INSTALLATION MUST COMPLY WITH THE REQUIREMENTS OF BS7671.**

**IF IN DOUBT – CONSULT A QUALIFIED ELECTRICIAN:** The supply cord of this appliance cannot be replaced without opening the sealed panels of the appliance. Should the supply cord become damaged, the supply cord replacement can only be carried out by a properly equipped and qualified electrical repair shop.

# Installation Instructions

## Method of Fitting

1. Select the correct place near a 13amp supply, ensuring that the heat from the heater can have free entry to the room/area.

## Do Not Cover with Curtains etc

**IP rated heaters for use in bathrooms, kitchens etc where water splash is a risk (any heater which is closer than 60cm to a water source must be IP rated) The installation must satisfy the requirements of BS7671.**

2. Refer to chart below for the bracket positioning.

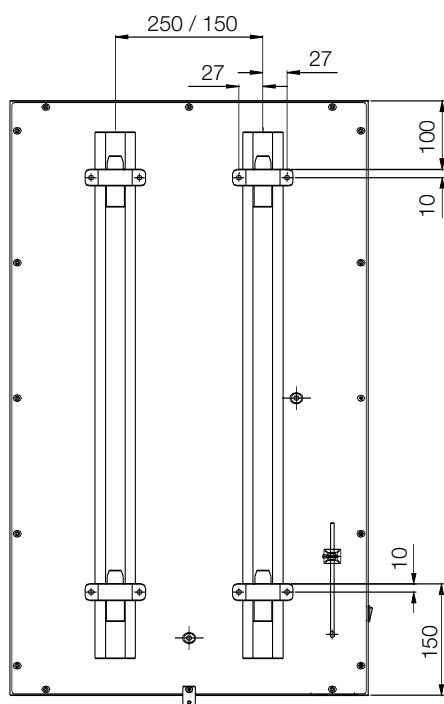
Heater width	Bracket fixing centre
500 / 250mm	250 / 150mm

All measurements provided are for guidance only-

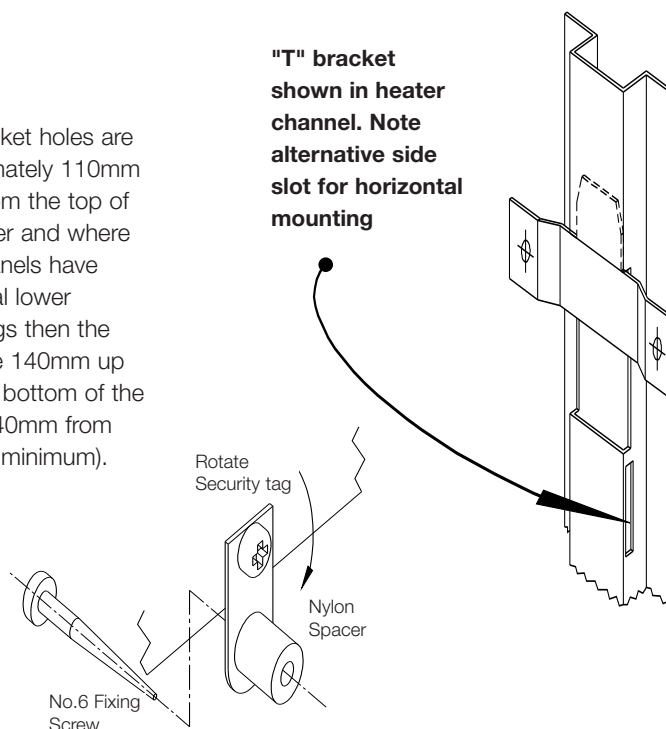
Please measure your heater to ensure that the mounting centres are the same as above before commencing drilling.

Minimum mounting height 100mm from finished floor level.

## Fixings



Top bracket holes are approximately 110mm down from the top of the heater and where larger panels have additional lower mountings then the holes are 140mm up from the bottom of the panel (240mm from the floor minimum).



3. Turn the lower securing tag(s) down.
4. When all the wall brackets are fixed you can now mount the heater onto the brackets.
5. All heaters have a security tag(s) along the bottom edge which must be fixed after the heater is placed on the wall mountings. A Screw (no 6), red Rawlplug and nylon spacer which fits between the tag and the wall is supplied in the fixing kit (larger heaters may have 2 tags). On all heaters the tags are already attached to the heater and need rotating down to the fixing position. Rotating the tag down allows the drilling point to be marked, then rotate the tag clear to drill the hole (6mm x 40mm) for the Rawlplug. Insert the Rawlplug, rotate the tag back over the Rawlplug, insert the spacer between the tag and the wall and insert the no 6 long screw through tag and spacer – screw in until tight.

# Installation Instructions

## 6. Fixing kit contents

4 "T" brackets	2 no 6 screws
8 no 10 screws	2 red Rawlplugs
8 brown Rawlplugs	2 nylon spacers

7. Volt heaters are primarily designed as a vertical installation. However the dual function mounting facility will allow a horizontal installation. The safety tags supplied with the heater will be as the heater was ordered. If a change of mounting is required, then the safety tag(s) must be fixed to the corresponding bottom edge. Remove the pozi head screw(s) and attach the safety tag(s).
8. When the heater is securely fitted to the wall and connected to a suitable power supply point, power can then be switched on.

## Operating

At this point the red switch on the heater should also be switched on. The red switch should illuminate to confirm that power is now available to the heater. If the switch does not illuminate when operated, first ensure that the socket connection is switched on. If that does not solve the problem, then we recommend that you consult your electrician.

**For wireless operation refer to the instructions provided with the ZX VOLT-01 programmable thermostat.**

## Manual Control

If the heater is required for manual operation (without a ZX VOLT-01 wireless thermostat programmer) then the small red & green LED's below the heater main switch will both illuminate?

The RED led indicates that the element is powered and when on the heater should warm and reach working temperature in approximately 2 minutes. (In manual your heater will not respond automatically to room temperature.)

Once the panel has reached operating temperature (factory preset) then the red LED will cycle on and off as required to keep the panel at working temperature.

If the heater **does not warm** up then it may need to be set to operate in **manual** mode by the following procedure-

**A:** If the panel is on, switch it off.

**B:** Switch it on for about three seconds then switch it off again. Do this 5 times in succession, and your heater should be back in manual control.

In manual operating mode the heater can be switched on and off by using the power switch on the heater, or via the supply point. (If temperature and/or time control is required, a ZX VOLT-01 controller may be purchased and linked to your heater at any time.)

**9. To clean**, simply wipe with a damp microfibre cloth.

**10. Safety - Overheating** All heaters are fitted with a thermal safety fuse. If the heater severely overheats then the thermal fuse will fail. When that occurs the heater will not operate and must be returned to a service centre or the manufacturer for repair and servicing.

**11. After sales service.** MHS Volt heaters have a 2 year warranty. Please refer to MHS T+C's found on our website [www.mhsradiators.com](http://www.mhsradiators.com) for further warranty information.

Your right under this guarantee are additional to statutory rights.

For after sales service contact your supplier. It would assist processing your call if you can have available the model type, serial number, date of purchase, your supplier and some details of the fault.

Please do not return a product you consider faulty without first obtaining returns approval.