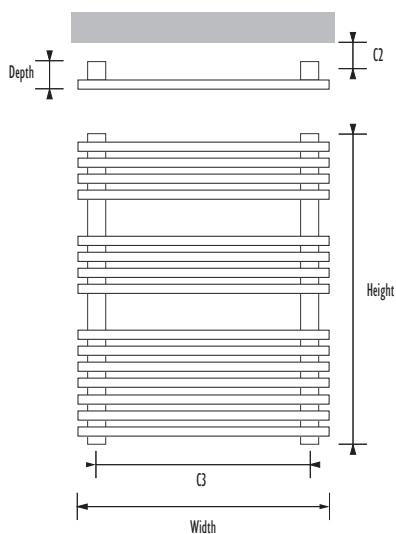




Square



Polished stainless steel square tubes create this attractive angular towel rail. Also available as an electric option.



Code	Height	Width	Depth	Wall to face	Tapping Centres		Heat Output $\Delta t 50^{\circ}\text{C}$		Heat Output $\Delta t 60^{\circ}\text{C}$		Dry Weight kg	Water Content ltrs	Codes Electric Options	
					C2	C3	Watts	BTUs	Watts	BTUs			Dual Fuel Adjustable	Electric Only Adjustable
SQU 04 080050	800	500	50	70	22.5	450	310	1058	393	1342	9	5.19	SQU 04 4 080050	SQU 04 5 080050
SQU 04 120050	1200	500	50	70	22.5	450	510	1741	646	2206	13.5	7.92	SQU 04 4 120050	SQU 04 5 120050
SQU 04 120060	1200	600	50	70	22.5	550	595	2031	754	2574	15.5	9.23	SQU 04 4 120060	SQU 04 5 120060

Electrical components carry a two year warranty.

All items usually in stock, allow up to 3 working days for delivery.

For matching valves see pages 78-81